



DPSS Laser Marking Source

AQS 6

Ideal Solution
for OEM Integration



Features

- DPSS Laser Marking Source
- 6W @ 1064nm
- Active Frequency Control
- Integrated Scanhead
- High Speed and Resolution
- Compactness and Ease of Integration in Desktop Machine
- 110x110mm. Marking Area
- Manual System regulation for Fine Focus Adjustment
- Gray Scale on Polycarbonate and Laserable PVC

Applications

- Secure marking on ID Cards & Passports
- DPM in industrial application
- Fine Micromarking and Annealing in Surgical Field
- Fine Ablation



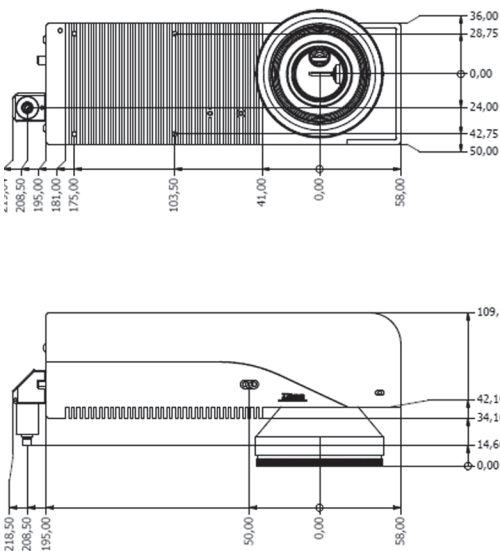
Infrared Laser Series- DPSS Lasers

AQS6

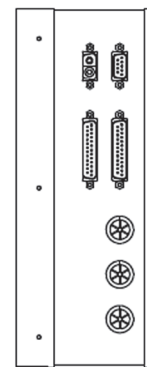
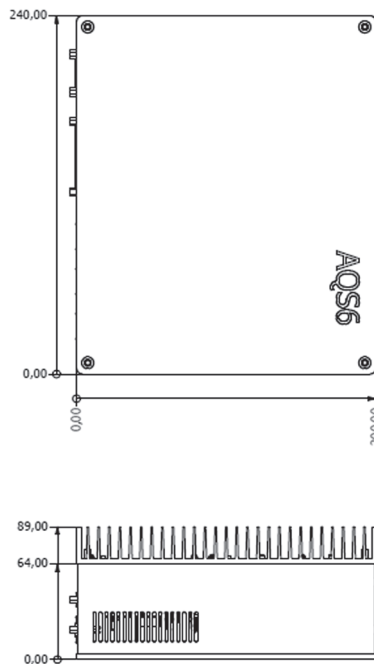
AQS6

Laser Type Medium		Nd:YVO ₄
Wavelength	[nm]	1064
Average Power	[W]	6 CW
Rep. Rate	[kHz]	10 - 100 in Q-Switch
Beam quality	[M ²]	<1.3
Power Supply		24 VDC - 350W
Cooling		Air to Air
Focal lens (M85)		100mm. (70x70mm.) - 160mm. (110x110mm.) - 254mm. (180x180mm.)
Communication (*)		Marking Software: USB - Laser Controlling: DB25; Diagnostic: RS232

*Ethernet or Profibus available upon request



AQS6 Layout



Specifications are subject to variations and updates without notice.
Class 4 laser source.
This OEM laser component is for sale solely to qualified manufacturers, who shall provide interlocks, indicators and other appropriate safety features, in full compliance with 21 CFR 1040 and/or other applicable national and local regulations.



GAP Laser Systems s.r.l.
A Certified and ISO 9001:2008 Company

GAP LASERSYSTEMS
custom industrial solutions

Via IV Novembre 116 - 21058 Solbiate Olona (VA) - ITALY
Tel: +39 0331 072637 - Fax: +39 0331 072695
www.gaplaser.com - info@gaplaser.com