



Infrared Laser Series

SIRIO

Pulsed Fiber Laser
for Industrial Application

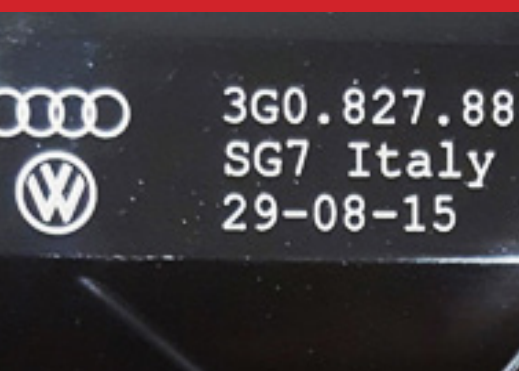


Features

- High contrast marking in extended frequency range
- From 20W to 50W
- Excellent beam quality
- Profibus and embedded PC as option
- Air cooled
- Easy of integration (19 inches rack)

Applications

- Marking and deep engraving
- High contrast on laser annealing
- Safety ID marking for high speed productivity on Polycarbonate and PVC

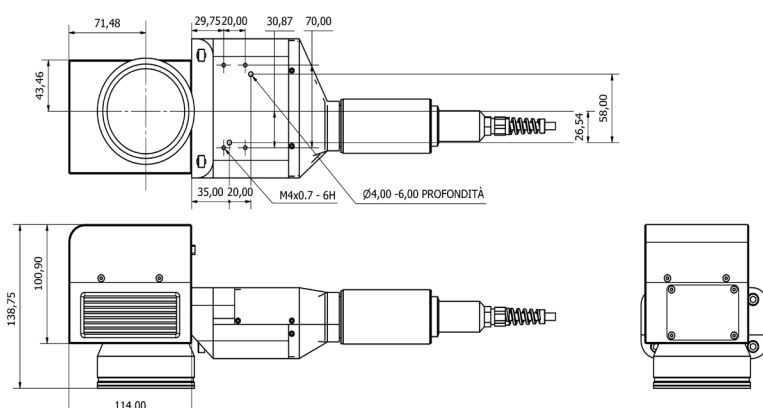
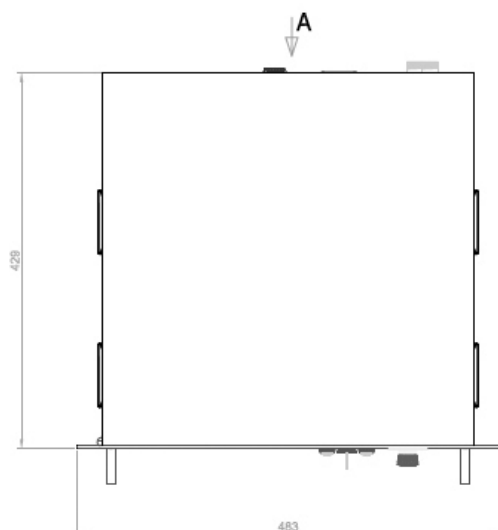
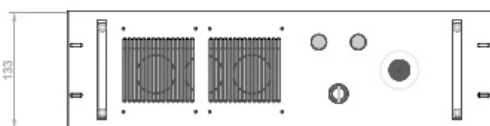


Infrared Laser Series

SIRIO

	SIRIO 20	SIRIO 30	SIRIO 50
Operational mode	Pulsed Fiber Laser		
Wavelength [nm]	1060 ~ 1085		
Nominal Power [W]	20	30	50
Beam quality (nominal) [M ²]	<1.8	<1.8	<1.8
Polarization	Random		
Pulse repetition rate [kHz]	20- 80	30 - 80	50 - 100
Pulse energy [mJ]	1@20 KHz	1@30 KHz	1@50 KHz
Pulse width (@30kHz) [ns]	80-140	80-140	100-140
Peak power (nominal) [kW]	<120@20KHz	<130@30KHz	<140@50KHz
Power Supply [Vac; Hz]	90-240 ; 50/60		
Power consumption [W]	<800	<1000	<1500
Cooling system	Air		
Communication (*)	RS232		
Compliance	2004/108/CE; 2006/95/CE; EN60950-1; EN 608225-1; EN 12626		

Note: Integrated embedded PC as option *Ethernet available upon request



Sirio Layout

Specifications are subject to variations and updates without notice. Class 4 laser source. This OEM laser component is for sale solely to qualified manufacturers, who shall provide interlocks, indicators and other appropriate safety features, in full compliance with 21 CFR 1040 and/or other applicable national and local regulations.



GAP LASERSYSTEMS
custom industrial solutions

Via IV Novembre 116 - 21058 Solbiate Olona (VA) - ITALY
Tel: +39 0331 072637 - Fax: +39 0331 072695
www.gaplaser.com - info@gaplaser.com

GAP Laser Systems s.r.l.
A Certified and ISO 9001:2008 Company